



# TOWER SOLUTIONS™

RAISING PERFORMANCE WITH THE PUSH OF A BUTTON.

## STS-12

— *VERSATILE* —

### APPLICATIONS



Surveillance



Communications



Tactical Support



Lighting

### PRODUCT SUMMARY

The STS-12 is the second addition to the Small Tower Series (STS). It is stowed at a height of 48 inches (1.2 m) and rises to a height of 33 feet in approximately two minutes. With the push of a button, the STS-12 self-assembles, creating a three-sided, stable, and strong structure. The tower must be secured to an appropriately designed mounting pad or vehicle to ensure both safety and stability when raised.

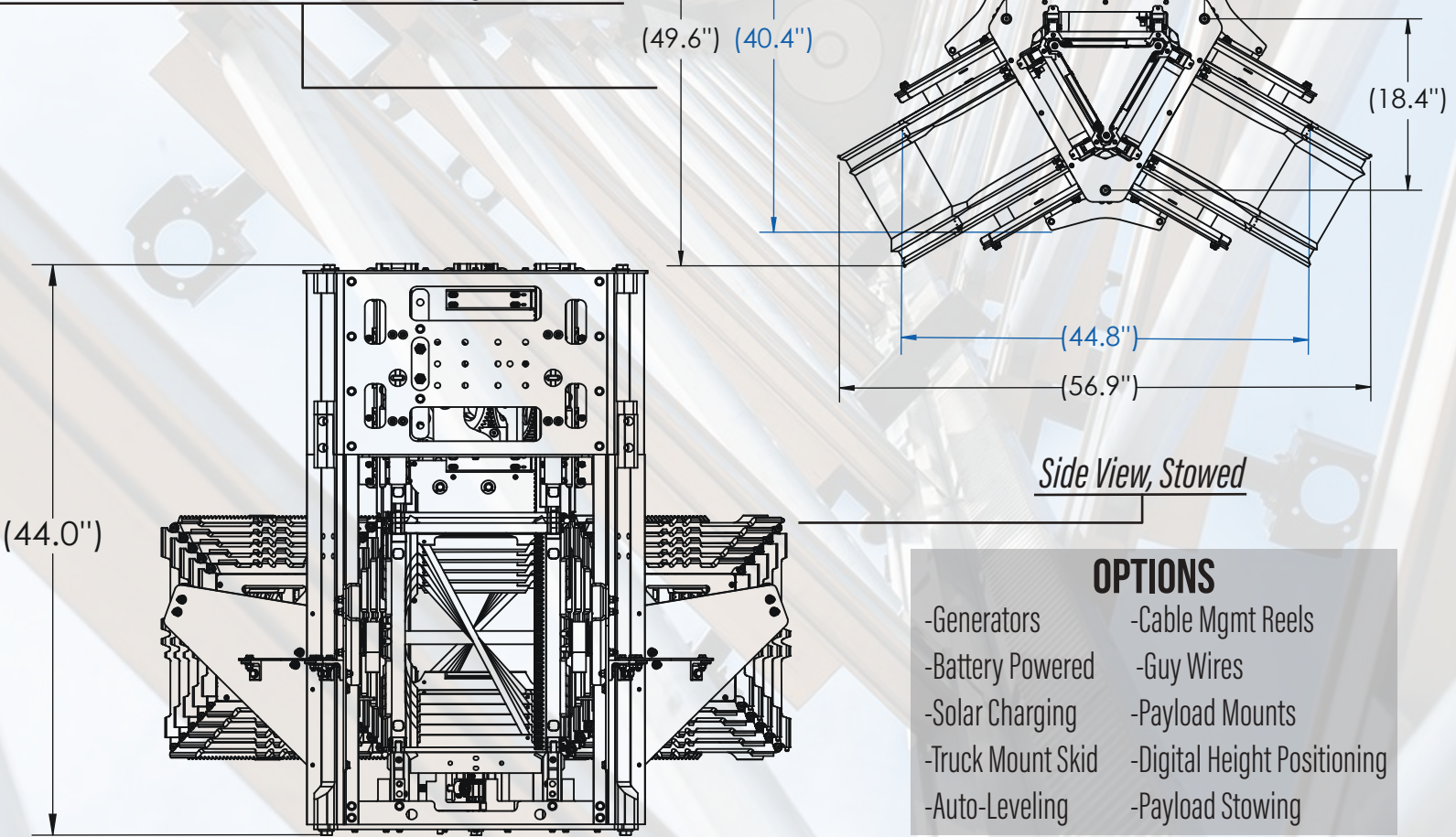


# STS-12 SPECIFICATIONS

Fully Deployed Height <sup>1</sup>	20' (6.1 m)	33' (10 m)
Time to Max Deployed Height	90 Seconds	2 Minutes
Set Up Time	Less than 2 Minutes <sup>1</sup>	
Ability to Stop at Any Height	Yes	
Top Payload Capacity	500 lbs (226.8 kg)	
Approximate Tower Weight	450 lbs (204.12 kg)	600 lbs (272.16 m)
Overall Dimensions (Stowed)	48" W x 46" L x 44" H (1.2m x 1.17m x 1.12m)	
Footprint (Deployed)	63.5" x 55.5" (1.6m x 1.4m)	

<sup>1</sup>Depending on Options/Conditions

Overall Operating Envelope for Both Tower Heights  
(20' Indicated in Blue) and Tower Mounting Dimensions



## OPTIONS

- Generators
- Battery Powered
- Solar Charging
- Truck Mount Skid
- Auto-Leveling
- Cable Mgmt Reels
- Guy Wires
- Payload Mounts
- Digital Height Positioning
- Payload Stowing