



9" of Ice

# TOWER SOLUTIONS™

RAISING PERFORMANCE WITH THE PUSH OF A BUTTON.

## PTM-100

UTILITY

### APPLICATIONS



Surveillance



Communications



Tactical Support



Lighting

### PRODUCT SUMMARY

The PTM-100 is the base model in the Large Tower Series and features an open structural frame supporting our patented ladder-like lattice tower. This adjustable-height tower can raise to any height or a max height of 80 feet in 5 minutes or less, making it attractive for applications in which height may be restricted or flexibility is desired. The PTM-100 is highly customizable, with options to add space, through trailer extensions, for shelters, special electronics, storage, and more.

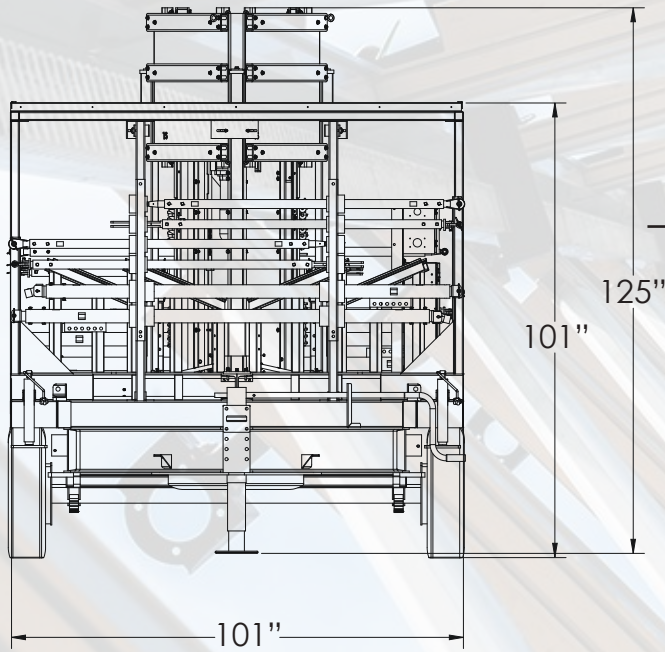


# PTM-100 SPECIFICATIONS

Fully Deployed Height	50' (16.7 m)	80' (26.7 m)
Time to Max Deployed Height	3 Minutes	5 Minutes
Set Up Time	5-15 Minutes <sup>1</sup>	
Ability to Stop at Any Height	Yes	
Top Payload Capacity	2000 lbs <sup>2</sup> (907.2 kg)	
Approximate Tower Weight <sup>1</sup>	11,600 lbs (5,261.7 kg)	12,500 lbs (5,669.9 kg)
Overall Dimensions (Stowed)	101" W x 218" L x 125" H (2.57m x 7.62m x 3.5m)	
Footprint (Deployed)	20' x 20' (6.1m x 6.1m)	

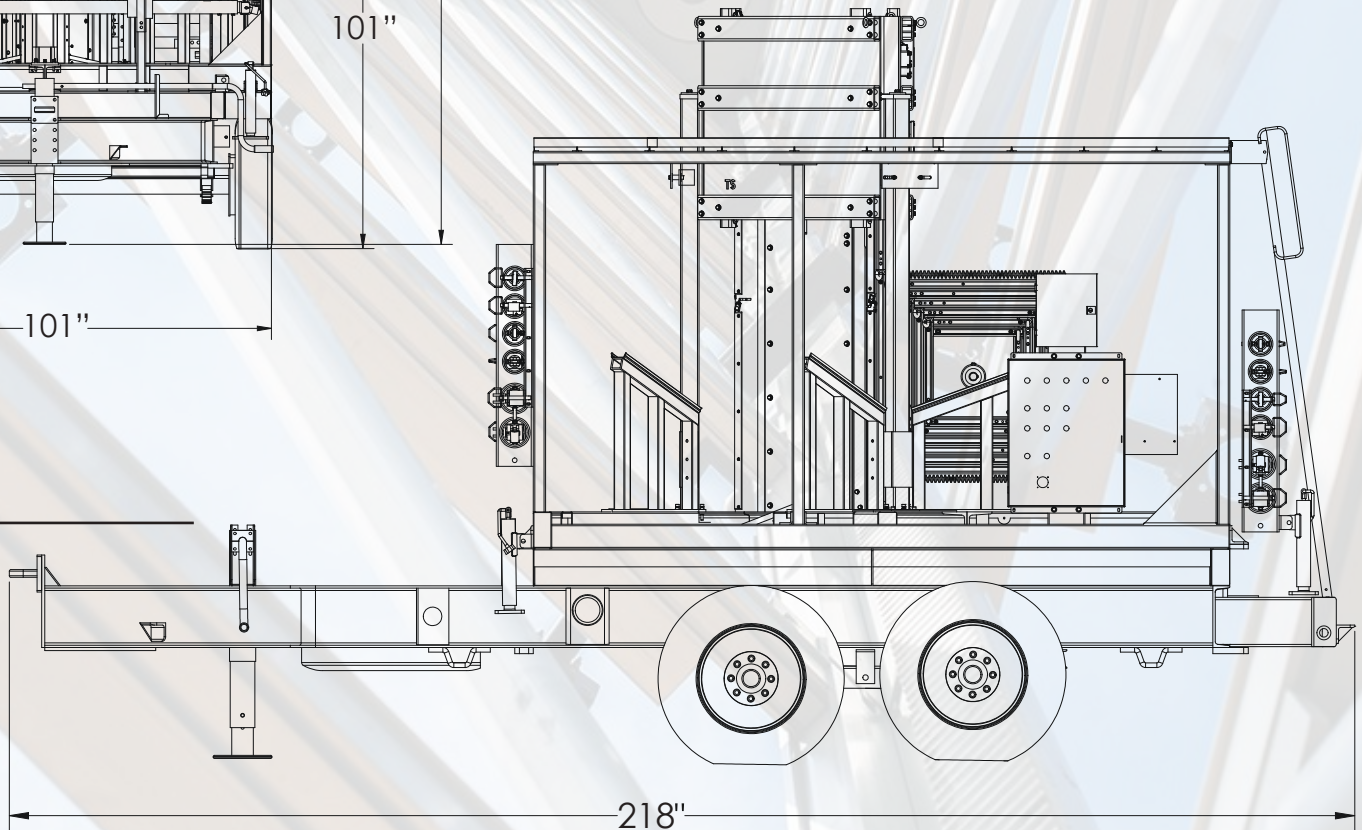
<sup>1</sup> Depending on Options/Conditions

<sup>2</sup> Higher Payload Capacities Available, Contact Tower Solutions for More Information



*Front View*

*Side View*



## OPTIONS

- Generators
- Lightning Protection
- Guard Rails
- Auxiliary Fuel Tank
- Lightweight Trailer
- Guy Wires
- AC Cooled Shelters
- Customization