



TOWER SOLUTIONS™

RAISING PERFORMANCE WITH THE
PUSH OF A BUTTON.

PTX-100

UNSHAKEABLE

APPLICATIONS



Surveillance



Communications



Tactical Support



Lighting

PRODUCT SUMMARY

The PTX-100 tower offers the most robust and stable mobile tower in the world and can handle the most demanding applications. Its unique design brings a compact transportable model that deploys quickly and stands up to hurricane level wind speeds without the need for ground penetrating guy wires. The exclusive outrigger design unfolds and rotates in one motion to create a wide 40 ft x 40 ft stable base, and the tower extends to full height in under 5 minutes.



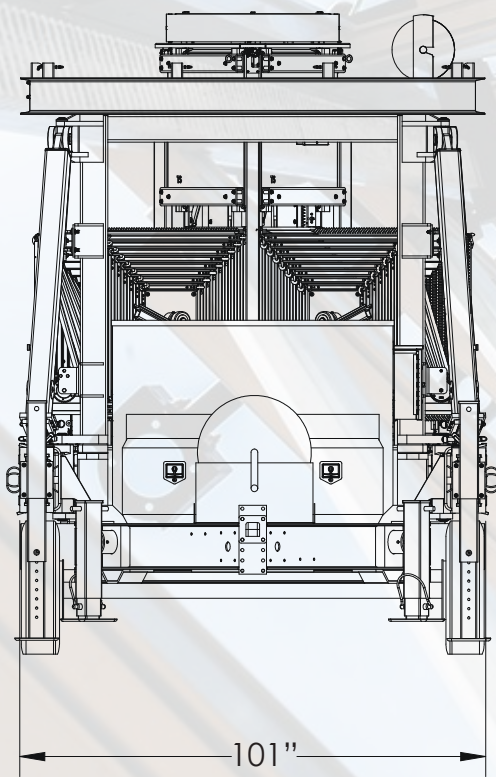
PTX-100 SPECIFICATIONS

Fully Deployed Height	50' (16.7 m)	80' (26.7 m)
Time to Max Deployed Height	3 Minutes	5 Minutes
Set Up Time	5-15 Minutes ¹	
Ability to Stop at Any Height	Yes	
Top Payload Capacity	2000 lbs ² (907.2 kg)	
Approximate Tower Weight ¹	15,200 lbs (6,894.6 kg)	16,000 lbs (7,257.5 kg)
Overall Dimensions (Stowed)	101" W x 300" L x 139" H (2.57m x 7.62m x 3.5m)	
Footprint (Deployed) ³	40' x 40' (12.2m x 12.2m)	

¹ Depending on Options/Conditions

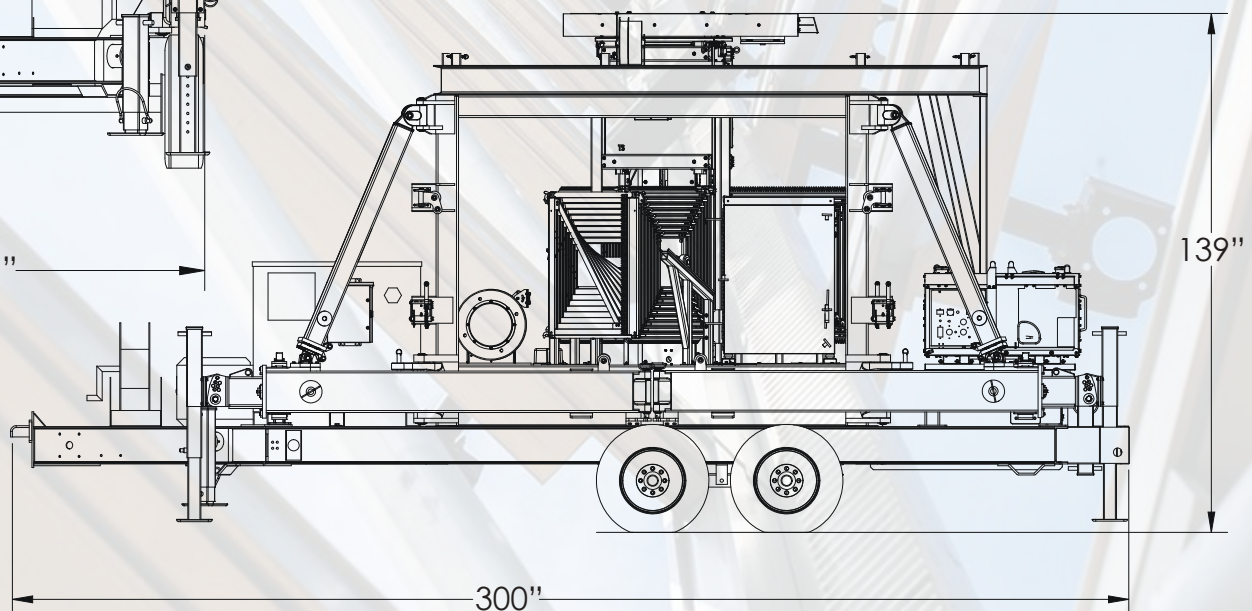
² Higher Payload Capacities Available

³ Guy Wires Attach to Outriggers; Do not Break Ground



Front View

Side View



OPTIONS

- Generators
- Lightning Protection
- Guard Rails
- Auxiliary Fuel Tank
- Lightweight Trailer
- Guy Wires
- AC Cooled Shelters
- Customization