

PRODUCT SUMMARY

The ISO-110/220 provides a self-supporting tower within a standard Conex/ISO shipping container body. This tower system offers the ability to transport the tower via standard shipping container methods, making it highly versatile and flexible to the needs of the application.

The ISO-110/220 can be implemented as a stationary retractable fixed tower. It features the standard twist lock castings found at the corners of all Conex shipping containers used to lift or secure it and is available in both 10- and 20-foot lengths to accommodate feature customizations or extra space requirements. Additionally, fork pockets are integrated into the frame to facilitate more efficient loading and unloading.

TOWER
SOLUTIONS™

RAISING PERFORMANCE WITH THE
PUSH OF A BUTTON.

ISO-110/220

MODULAR

APPLICATIONS



Surveillance



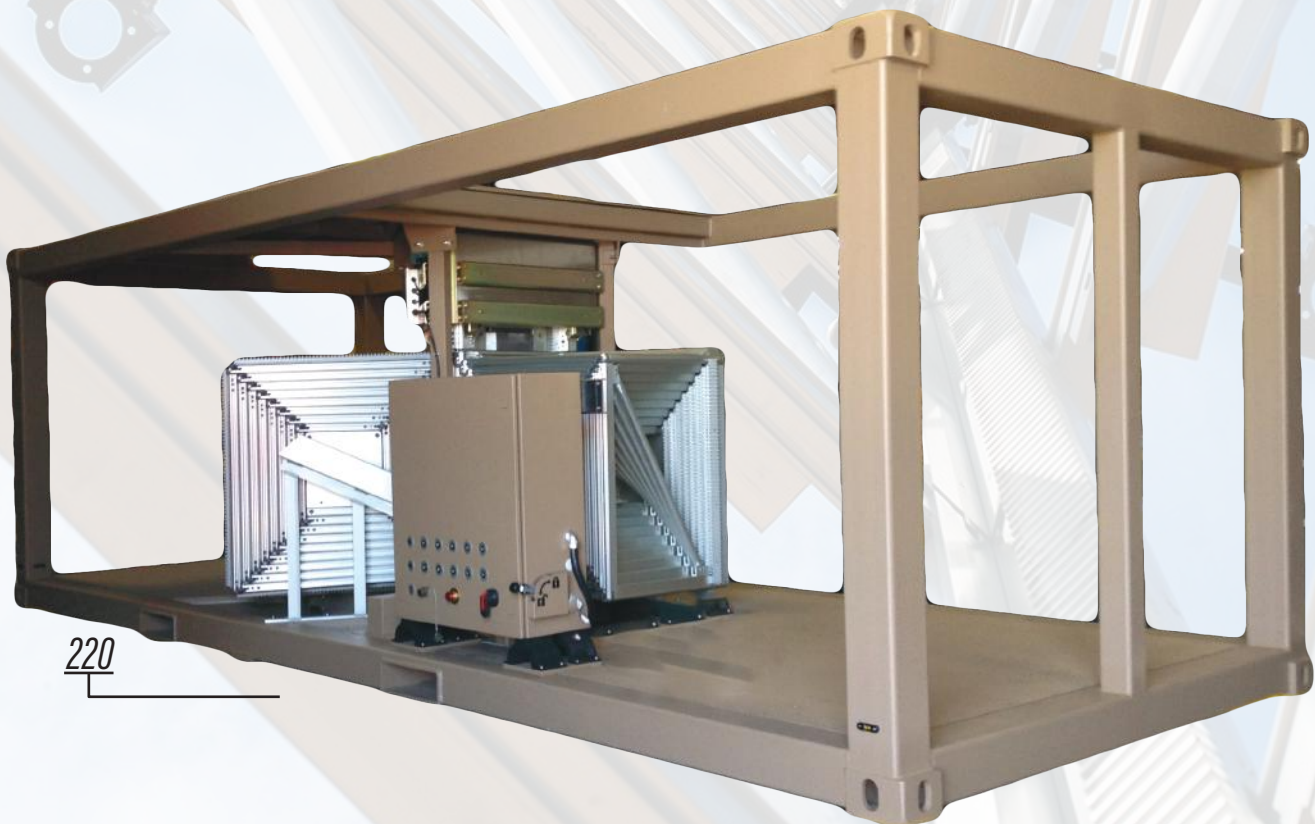
Communications



Tactical Support



Lighting



ISO-110/220 SPECIFICATIONS

	ISO-110	ISO-220
Fully Deployed Height	50' (16.7 m), 80' (26.7 m)	50' (16.7 m), 80' (26.7 m)
Time to Max Deployed Height	5 Minutes	5 Minutes
Set Up Time	5-15 Minutes ¹	5-15 Minutes ¹
Ability to Stop at Any Height	Yes	Yes
Top Payload Capacity	2000 lbs ² (907.2 kg)	2000 lbs ² (907.2 kg)
Approximate Tower Weight	8150 lbs (3696.8 kg)	10,000 lbs (4535.9 kg)
Overall Dimensions (Stowed)	96" W x 117.8" L x 82.5" H (2.4m x 2.99m x 2.1m)	96" W x 238.4" L x 82.5" H (2.4m x 6.1m x 2.1m)
Footprint (Deployed)	96" x 117.8" (2.4m x 2.99m)	96" x 238.4" (2.4m x 6.1m)

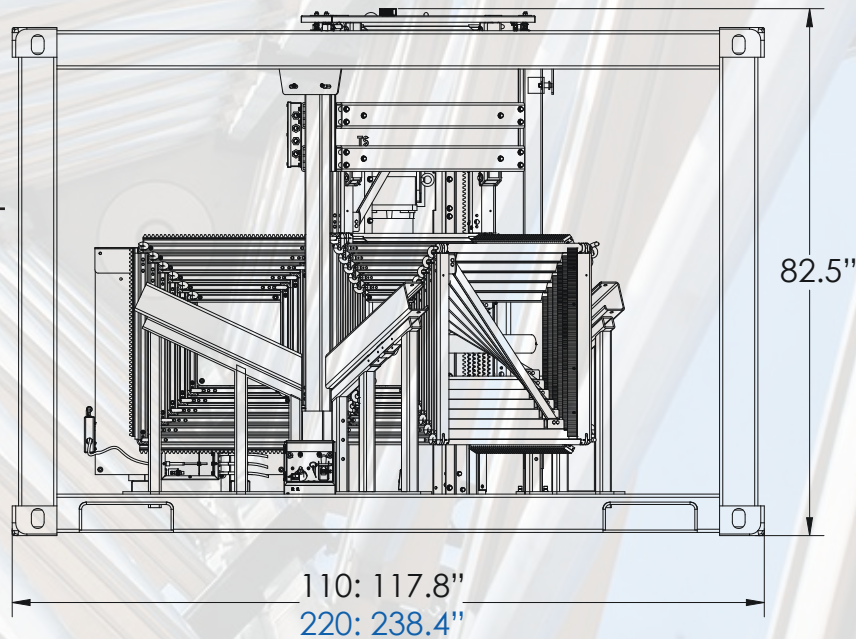
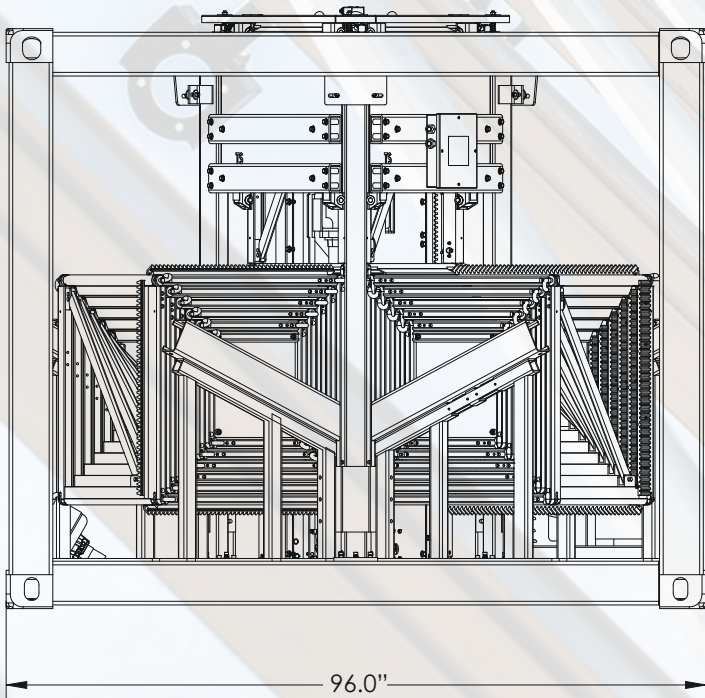
¹Depending on Options/Conditions

²Higher Payload Capacities Available, Contact Tower Solutions for More Information

ISO-110 Side View

(ISO-220 Dimensions Noted in Blue)

End View for Both Towers



OPTIONS

- Generators
- Lightning Protection
- Guard Rails
- Auxiliary Fuel Tank
- Lightweight Trailer
- Guy Wires
- AC Cooled Shelters
- Customization